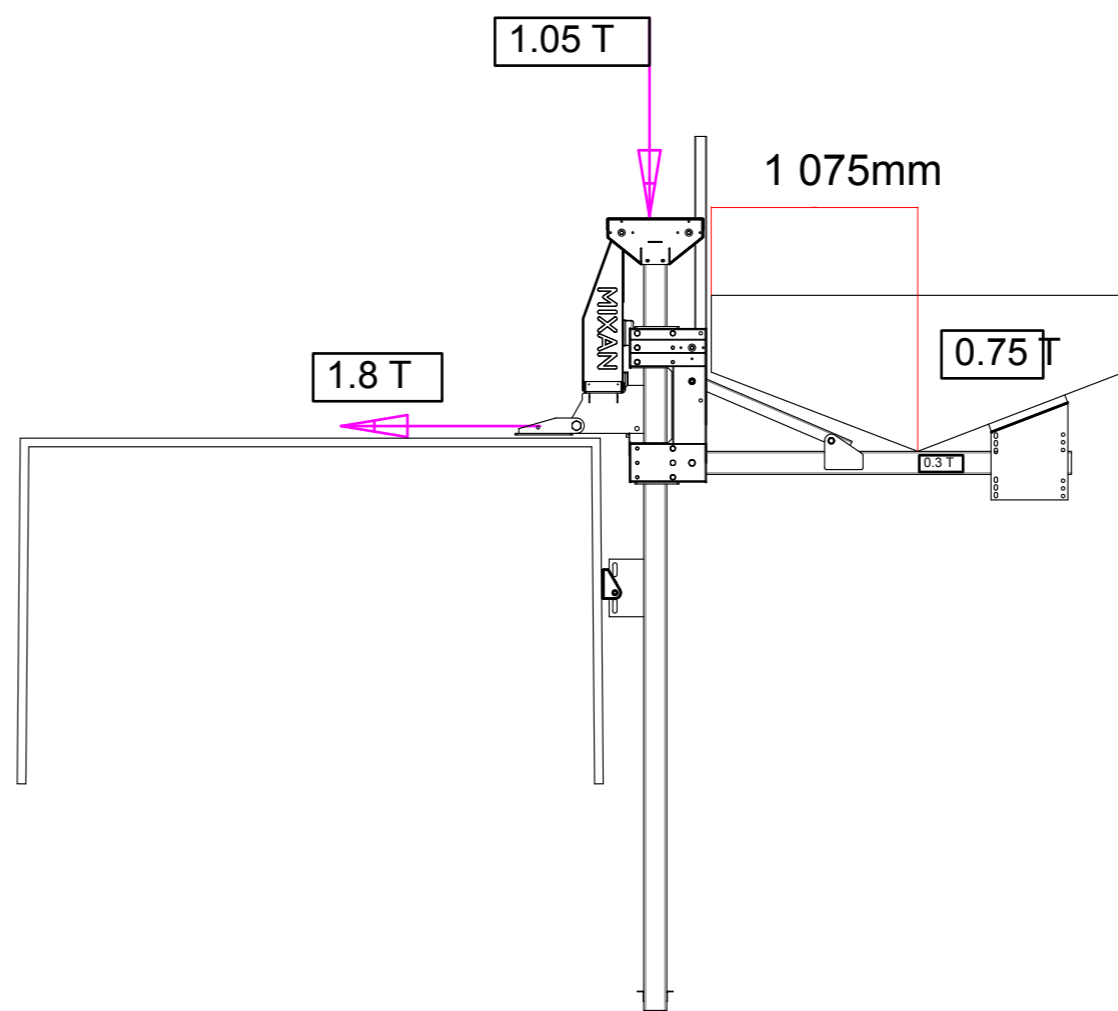


Loads with bottom pile



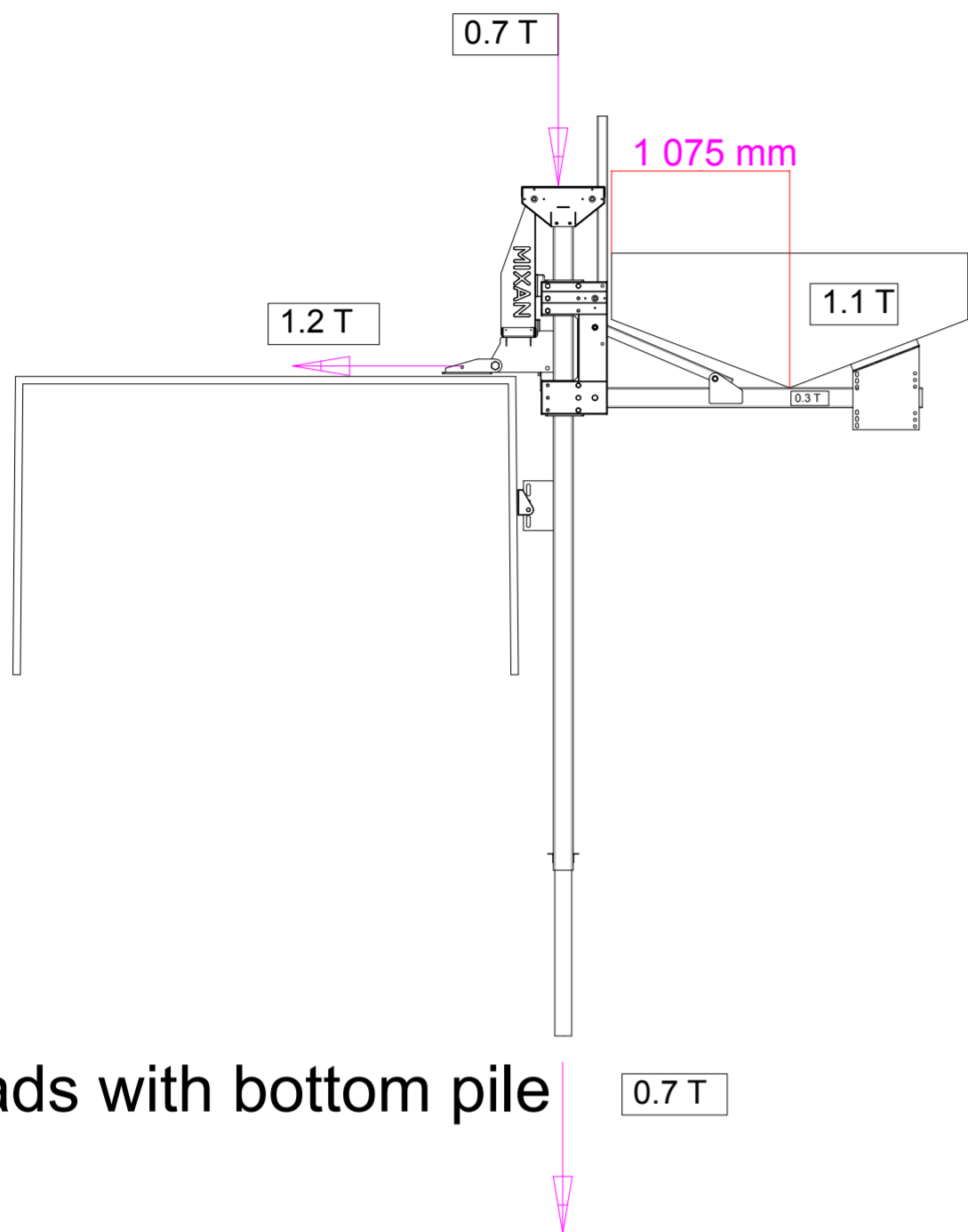
Weight of loaded Boat  
kg  
1 500

Weight of loaded Boat per lift unit  
kg  
750

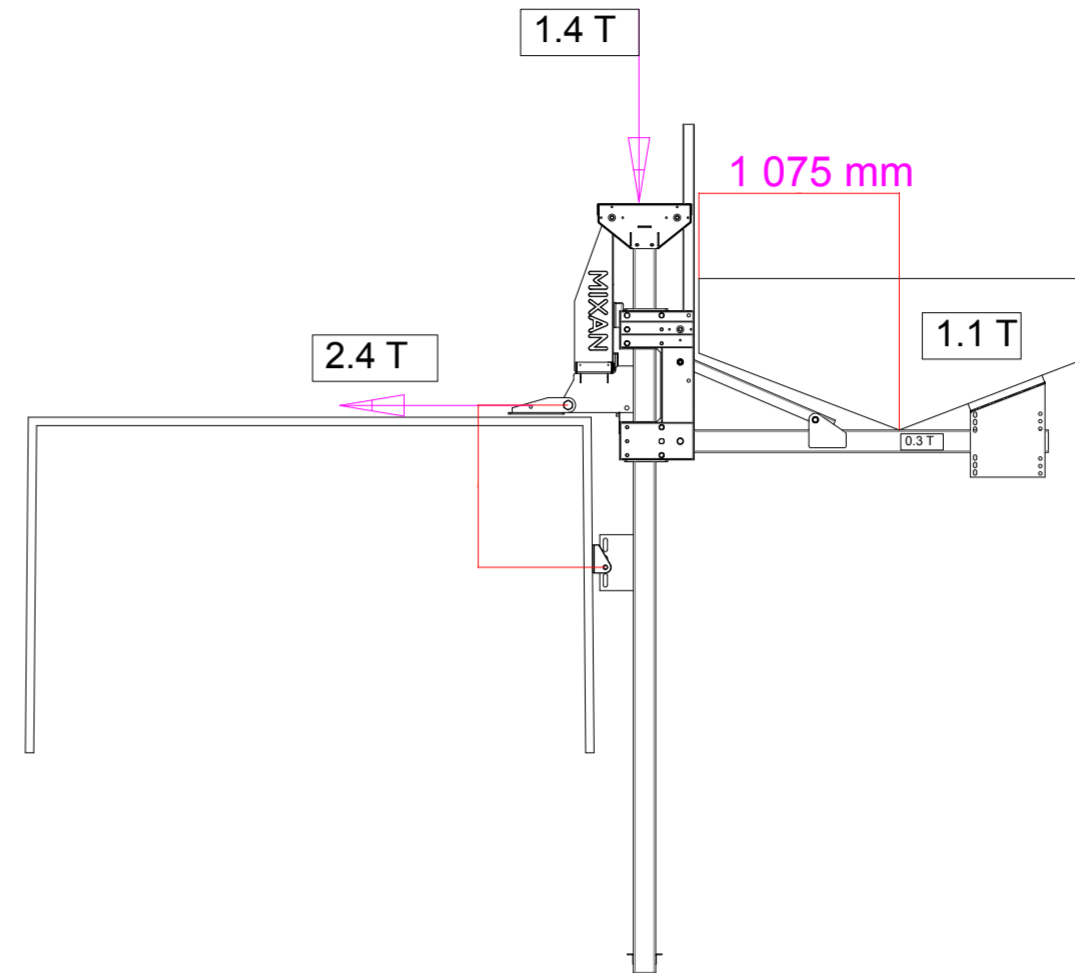
Power of electric Motors  
kW  
2 x 1,6

Power supply  
V / AC / Hz  
230 / 50

					DO NOT SCALE DRAWING	REVISION
					DATE:	17.11.2021
					TITLE:	<b>BM T1.5</b>
DRAWN	NAME	SIGNATURE	DATE		DWG NO.	2021-07-1001
CHK'D						A
APP'V'D						
MFG						
Q.A				MATERIAL:		
				WEIGHT:		
				SCALE:		SHEET 1



Loads with bottom pile



Weight of loaded Boat  
kg

2 200

Weight of loaded Boat per lift unit  
kg

1 100

Power of electric Motors  
kW

2 x 1,6

Power supply  
V / AC / Hz

230 / 50

				DO NOT SCALE DRAWING		REVISION	
				DATE: 17.11.2021			
				TITLE: <b>BM T2.2</b>			
				DWG NO. 2021-07-1002		A	
				SCALE: SHEET 1			
NAME	SIGNATURE	DATE					
DRAWN							
CHK'D							
APP'V'D							
MFG							
Q.A							
				MATERIAL:			
				WEIGHT:			