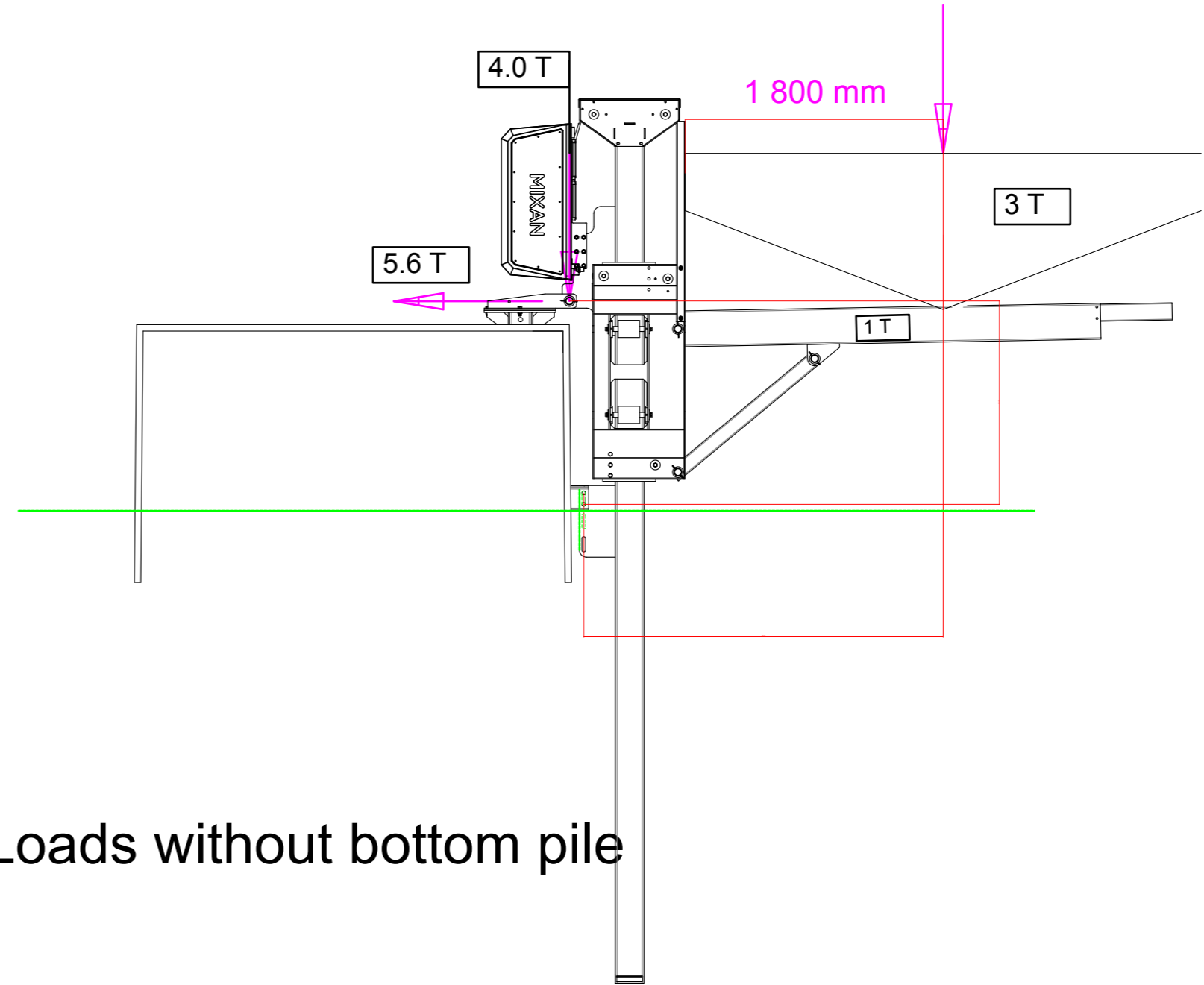


Loads with bottom pile

2.0 T

Loads without bottom pile



Weight of loaded Boat  
kg

6 000

Weight of loaded Boat per lift unit  
kg

3 000

Power of electric Motors  
kW

2 x 3

Power supply  
V / AC / Hz

230 / 400 / 50

				DO NOT SCALE DRAWING		REVISION	
				DATE: 17.11.2021			
				TITLE: <b>BR T 6</b>			
				DWG NO. 2021-07-1003		A	
				SCALE:		SHEET 1	
NAME	SIGNATURE	DATE					
DRAWN							
CHK'D							
APP'V'D							
MFG							
Q.A							
				MATERIAL:			
				WEIGHT:			